

AM

StoreProtect Plexi

Excellent detection range and timeless design

The StoreProtect series gives you a full range of top quality anti-shoplifting systems, working with the industry standard AM technology.

Top quality in both antenna-design and function, with the ability to access and control the system via the secure, online remote-service solution.

The StoreProtect-family comes in a full range of designs in various colors. All systems are engineered and produced in Sweden with high quality components.



Antenna Features

- Transparent acrylic antenna frame
- Scratch resistant metal covers

Antenna Specifications

- Width..... 428 mm
- Height..... 1562 mm
- Thickness..... 20 mm
- Thickness at base..... 149 mm
- Weight..... 21 kg

Add-ons

- Active
- Black base
- Passive
- Etched logo
- Remote Service v4
- Protection buffers

Controller Box Specifications

- Powers up to 9 StoreProtect AM antennas
- Quick and easy mounting
- Approvals: CE, FCC, ETL, CB
- Power consumption 46W (9 antennas)

Transmitter

- Operating Frequency..... 58kHz
- Transmit Burst Duration..... 1ms
- Max. Transmit Current..... 15A peak
- Burst Repetition Rate
(Based on 50Hz net)..... 75Hz
(Based on 60Hz net)..... 90Hz

Receiver

- Center Frequency..... 58kHz
(software adjustable bandwidth in steps of 100Hz)
- Receiver Coil Resistance..... 1,2Ω

Alarm

- Audio level (adjustable)..... 95dBA

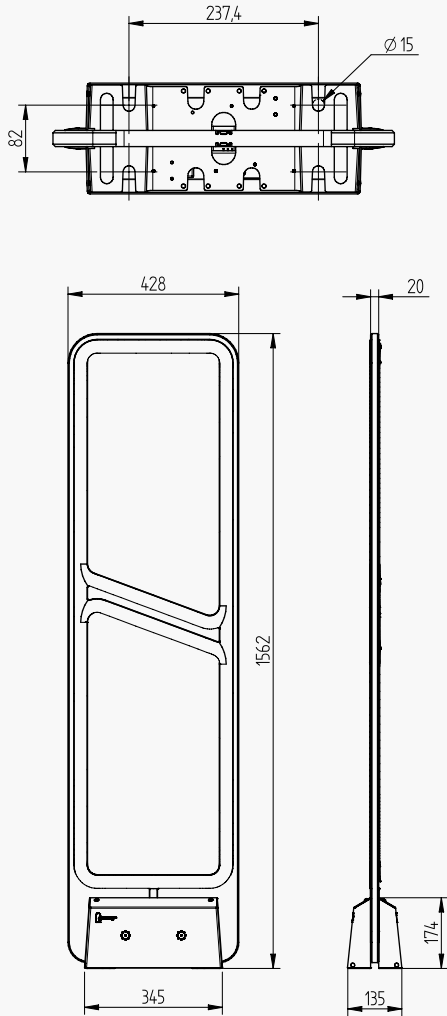
Environmental

- Ambient Temperature..... 0°C to 50°C
(32°F to > 122°F)
- Relative Humidity..... 0 to 90%
Non-condensing

Dimensions

Antenna

All dimensions in mm.



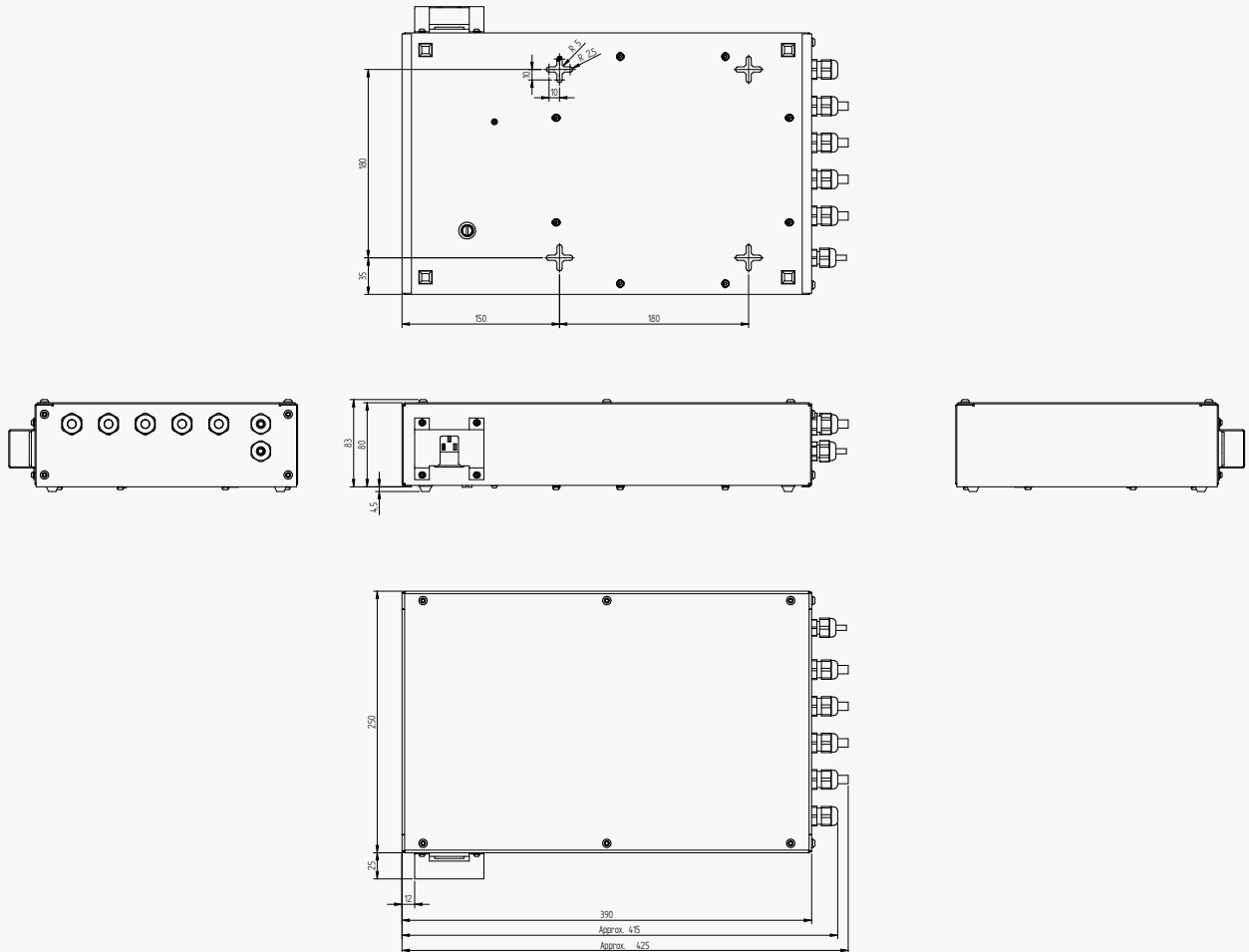
AUTHORIZED DEALER

Gunnebo Gateway AB is a Swedish supplier of anti-theft systems for the retail sector worldwide. We are the only company to develop, manufacture and market solutions built on every existing form of Electronic Article Surveillance (EAS) technology.

Dimensions

Controller Box

All dimensions in mm.



AUTHORIZED DEALER

Gunnebo Gateway AB is a Swedish supplier of anti-theft systems for the retail sector worldwide. We are the only company to develop, manufacture and market solutions built on every existing form of Electronic Article Surveillance (EAS) technology.