

RF

# Novagate

## A Minimalistic Antenna with great Performance

An excellent choice of antenna when a high detection range and a narrow footprint are required. Novagate is created with a discreet and slim design that matches perfectly with the store interior. Metal detection available as an option



### Antenna Features

- Swept RF system
- Swedish design
- Anodized aluminium frames
- Optimal detection

### Antenna Specifications

- Width..... 446 mm
- Height..... 1515 mm
- Thickness..... 37 mm
- Thickness at base..... 64 mm
- Weight..... 18 kg

### Add-ons

- Remote service v3
- Full-length sidepanels
- Integrated MDG
- Protection buffers

### Approvals

- CE, FCC, ETL, CB

### Power Consumption

- 2 Antennas ..... 23W
- 3 Antennas ..... 26W
- Power Supply AC/DC
- Input..... 100-240VAC, 50/60Hz
- Output..... 24Vdc

### Working Frequency

- RF Center Frequency..... 8.2MHz
- RF Frequency band of operation... 7.7-8.7MHz
- MDG Frequency..... 78.1kHz

### Alarm

- Audio level (adjustable)..... 95dBA

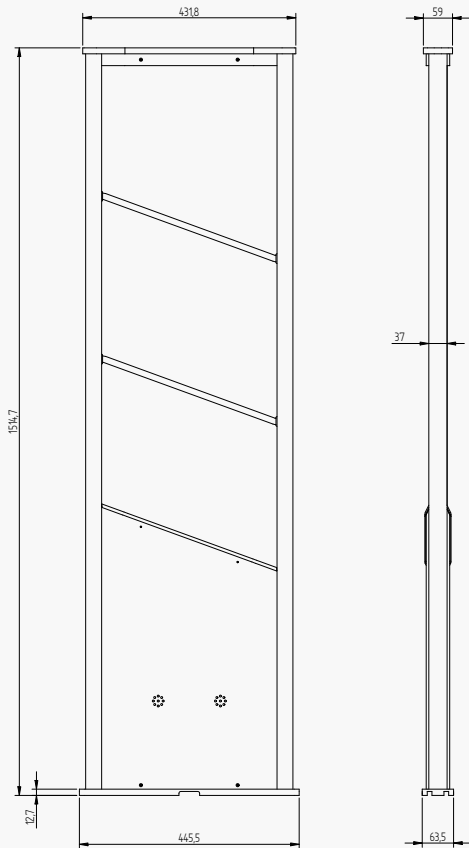
### Environmental

- Ambient Temperature ..... 0°C to 50°C  
(32°F to > 122°F)
- Relative Humidity ..... 0 to 90%  
Non-condensing

# Dimensions

## Antenna

All dimensions in mm.



AUTHORIZED DEALER

Gunnebo Gateway AB is a Swedish supplier of anti-theft systems for the retail sector worldwide. We are the only company to develop, manufacture and market solutions built on every existing form of Electronic Article Surveillance (EAS) technology.